

# TouchPad 3™

As today's guests demand more from every interaction, including mobile, businesses must be sure they are providing the ultimate in service and performance to guarantee they have satisfied guests that return time and time again. To meet these service and performance needs, TouchMate's **TouchPad 3** tablet equips businesses with the power to engage guests when and where they need, utilizing one of the most powerful and durable tablets on the market.

With a passing grade on a 4-foot drop test and a dust and spill resistant projected capacitive display that is able to endure the daily, repetitive abuse of quickly moving service professionals, this tablet keeps staff happy and consistently working. And because of this durability business owners are able to reduce downtime, operating costs, and repair/replace costs.

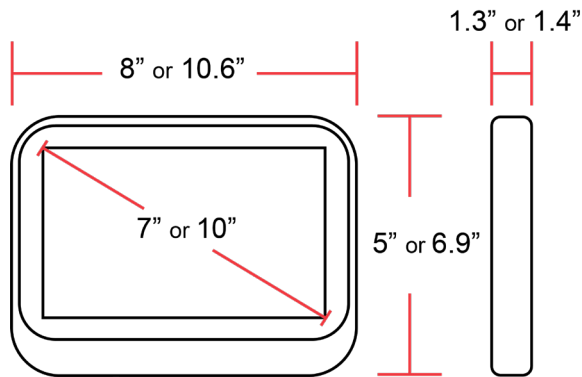


In addition to its impressive durability, the **TouchPad 3** with its powerful performance capabilities also helps increase efficiency, revenue, and guest satisfaction by reducing the overall time to enter and process orders, payments, and searches leaving your staff more time to interact with guests.

- Reliable mobile service increases satisfaction and revenue.
- Extensive peripherals to create the tablet your business needs.
- Slimmer and smaller footprint keep the **TouchPad 3** light enough for full-day use.

TouchMate is proud to offer its customers the opportunity to finance their kiosk purchase through **Lease Corporation of America**. Qualified buyers have a variety of leasing options, including a \$1 purchase option at the end of the lease, that allow you to conserve your working capital and possibly earn tax savings under IRS Section 179.

# TouchPad 3 Specifications:



Display:	7" or 10.1" Projected Capacitive Touch Display, 1920 x 1200 Resolution
Storage:	64 GB Solid State Drive
SD Card:	Micro SDHC up to 128GB
Battery:	8000mAh, 3.7V
Processor:	Intel® Cherry Trail X7-8750 1.6 GHz (2.56Ghz burst mode)
Chipset:	SOC
Memory:	4 GB DDR3L (Optional up to 8 GB)
Operating System:	Windows® 10 IOT 64bit
Mounting:	Standard Dock, comes with USB OYG Cable and Hand Strap
Connectivity:	802.22 b/g/n/ac WiFi and 4.0+LE Bluetooth
MSR:	Standard MSR (Encrypted optional)
Environment:	Operating: 32°F ~ 104°F, Humidity: 20% to 80%, RH non-condensing Storage: -45°F ~ 114°F, Humidity: 20% to 80%, RH non-condensing

## Optional Peripherals

Smart Chip Reader:	EMV L3 Certified
Bar Code Scanner:	Integrated 2D Barcode Scanner
Fingerprint Reader:	Persona Fingerprint Reader
Battery Charger:	5-bay battery charger
Camera:	8MP with autofocus
NFC:	Near Field Communication
Premium Dock:	Comes with 4x USB, 1 x Serial, 1 x LAN with optional VGA port
Wall Mount:	Removable mount with charger

1. Standard or Encrypted Mag Stripe Reader
2. Standard Hand Strap for easy carrying
3. 64 GB Solid State Drive
4. Removeable Battery



Be sure to ask about financing options through Lease Corporation of America



## United States

**Touchmate Inc.**  
7703 North Lamear Blvd, Suite 100  
Austin, TX 78752  
Phone: 512 949 3330  
www.TouchMateUSA.com  
info@TouchMateUSA.com

## Australia - New Zealand

**Touchmate Interactive Solutions**  
4/8 Bult Drive  
Brendale, Qld 4500  
Phone: 07 3889 6031  
www.TouchMate.com.au  
sales@TouchMate.com.au

